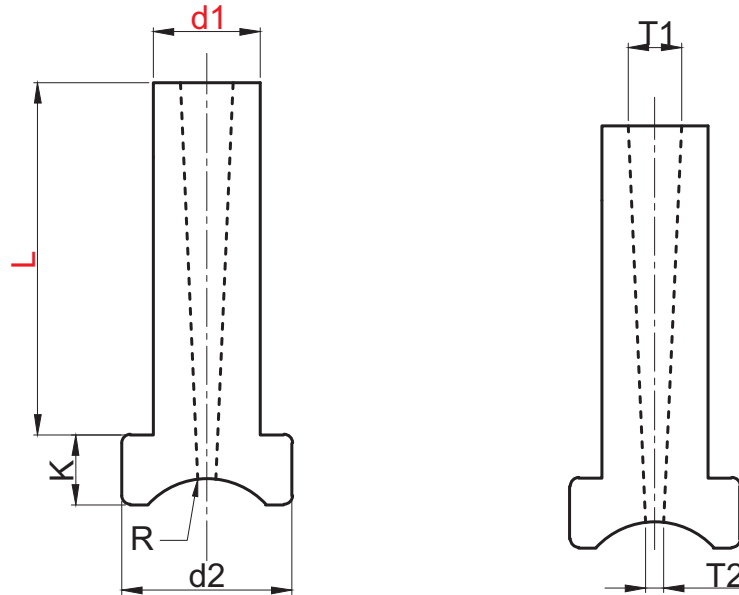


► Spure Bush (PPMSB)



Material:- Tool Steel
Hardness:- 40-42HRC



Type	d1	d2	K	R	T1	T2	Body Length (L)			
PPMSB	16	30	19	16	7.5	3.6	20 (PPMSB- 1620)	25 (PPMSB -1625)	30 (PPMSB- 1630)	35 (PPMSB- 1635)
	16	30	19	16	7.8	3.6	40 (PPMSB- 1640)	45 (PPMSB- 1645)	50 (PPMSB- 1650)	55 (PPMSB- 1655)
	16	30	19	16	8	3.6	60 (PPMSB- 1660)	65 (PPMSB- 1665)	70 (PPMSB- 1670)	75 (PPMSB- 1675)
	16	30	19	16	8	3.6	80 (PPMSB- 1680)	85 (PPMSB- 1685)	90 (PPMSB- 1690)	95 (PPMSB- 1695)
	19	34	22	20	8	4.2	20 (PPMSB- 1920)	25 (PPMSB -1925)	30 (PPMSB- 1930)	35 (PPMSB- 1935)
	19	34	22	20	8.3	4.2	40 (PPMSB- 1940)	45 (PPMSB- 1945)	50 (PPMSB- 1950)	55 (PPMSB- 1955)
	19	34	22	20	8.5	4.2	60 (PPMSB- 1960)	65 (PPMSB- 1965)	70 (PPMSB- 1970)	75 (PPMSB- 1975)
	19	34	22	20	8.5	4.2	80 (PPMSB- 1980)	85 (PPMSB- 1985)	90 (PPMSB- 1990)	95 (PPMSB- 1995)
	22	38	25	24	8.5	4.5	20 (PPMSB- 2220)	25 (PPMSB -2225)	30 (PPMSB- 2230)	35 (PPMSB- 2235)
	22	38	25	24	9	4.5	40 (PPMSB- 2240)	45 (PPMSB- 2245)	50 (PPMSB- 2250)	55 (PPMSB- 2255)
	22	38	25	24	9.5	4.5	60 (PPMSB- 2260)	65 (PPMSB- 2265)	70 (PPMSB- 2270)	75 (PPMSB- 2275)
	22	38	25	24	9.5	4.5	80 (PPMSB- 2280)	85 (PPMSB- 2285)	90 (PPMSB- 2290)	95 (PPMSB- 2295)

Order Type:- Type x d1 x L
Example:- PPMSB x 16 x 50